



Accessories for ECHO products can be found at:
 Los accesorios para los productos ECHO se pueden encontrar en:
www.echo-usa.com/products/catalogs

| ATTACHMENTS: | |
|----------------------------|-------------|
| Bed Redefiner | 99944200465 |
| Curved Shaft Edger | 99944200470 |
| Straight Shaft Edger | 99944200475 |
| Hedge Trimmer | 99944200486 |
| Power Blower | 99944200490 |
| Tiller / Cultivator | 99944200513 |
| Power Pruner | 99944200532 |
| 3' Extension | 99944200536 |
| Grass Trimmer | 99944200540 |
| High Torque Grass Trimmer | 99944200545 |
| ProSweep™ | 99944200553 |
| Articulating Hedge Trimmer | 99944200596 |
| 80 Tooth Brushcutter | 99944200601 |
| ProPaddle™ | 99944200620 |
| Mid-reach Hedge Trimmer | 99944200640 |

| ACCESORIOS DE DIFERENTES USOS: | |
|---------------------------------------|-------------|
| Rebordeadora de Arriates | 99944200465 |
| Orilladora de eje curvo | 99944200470 |
| Orilladora de eje recto | 99944200475 |
| Cortaseto | 99944200486 |
| Soplador | 99944200490 |
| Cultivador | 99944200513 |
| Podadora de altura | 99944200532 |
| Extensión de 0.91 m (3.0 ft.) | 99944200536 |
| Podadora | 99944200540 |
| Podadora torsión alta | 99944200545 |
| ProSweep™ | 99944200553 |
| Cortaseto articulado | 99944200596 |
| Desmalezadora de 80 Dientes | 99944200601 |
| Barredora ProPaddle® | 99944200620 |
| Cortaseto de medio alcance | 99944200640 |

PARTS CATALOG **LISTA DE PIEZAS**

PAS-2620 **Pro Attachment Series™**

PAS-2620
Sistema Pro Attachment®



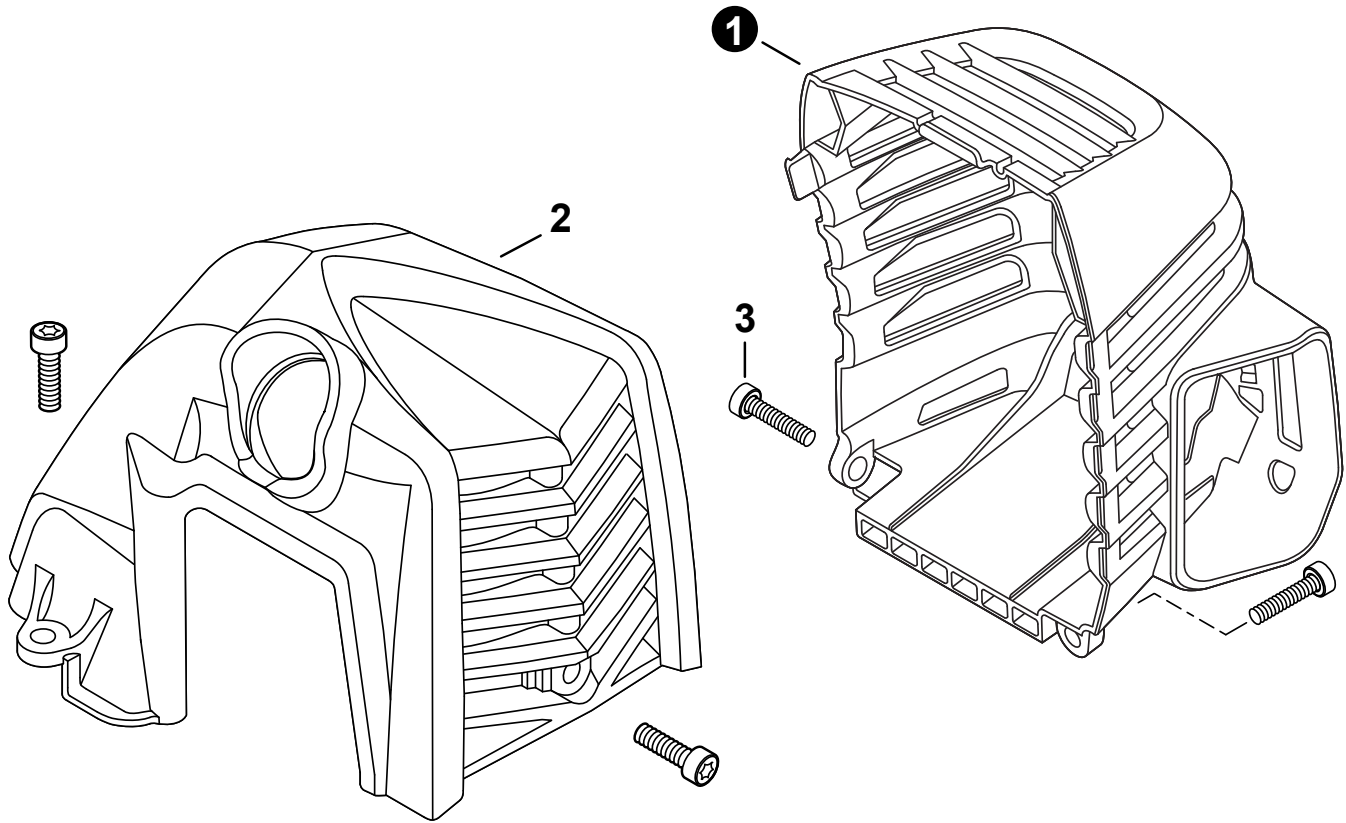
| |
|---|
| 25.4 cc |
| SERIAL NUMBER NÚMERO DE SERIE |
| U89512001001 - U89512999999 |

ECHO Incorporated

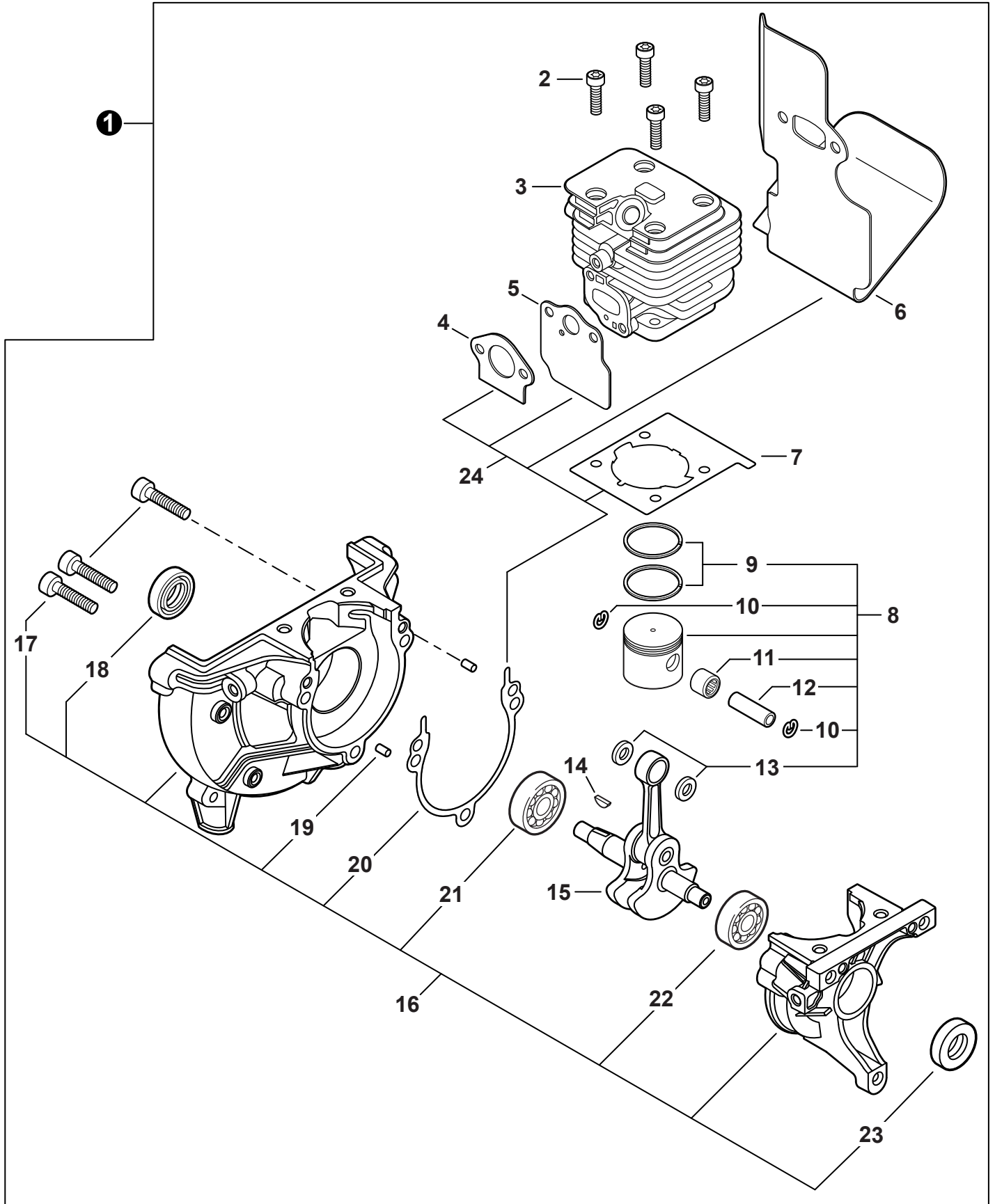
400 Oakwood Road, Lake Zurich, Illinois 60047

WWW.ECHO-USA.COM

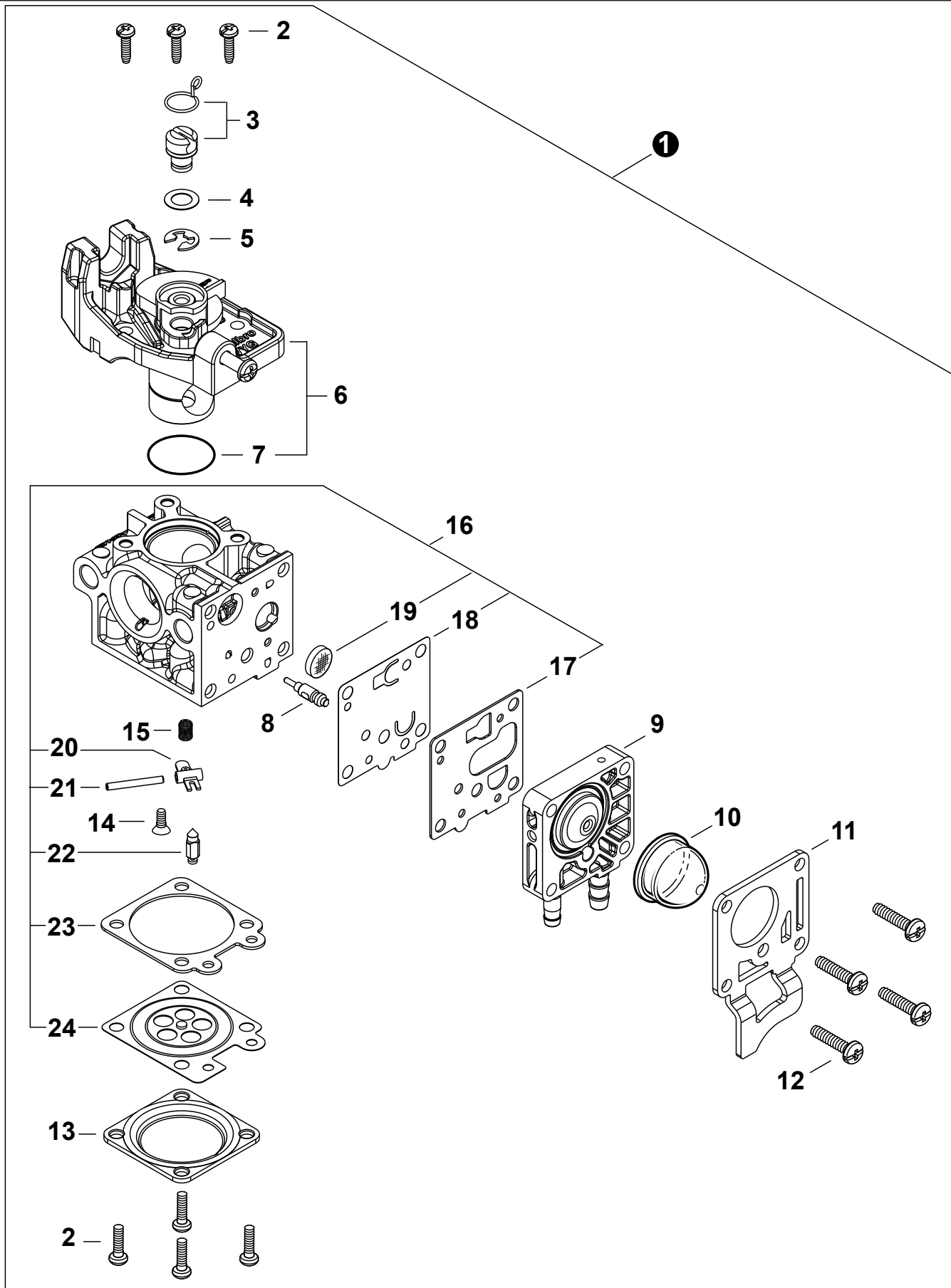
| | | | |
|---|-----------|------------------------------------|-----------|
| Engine Cover | 3 | Fan Case | 14 |
| Cubierta del Motor | | Carcasa del Ventilador | |
| Engine | 4 | Main Pipe | 15 |
| Motor | | Tubo Principle | |
| Engine | 5 | Control Handle | 16 |
| Motor | | Mango de Control | |
| Carburetor | 6 | Handle - Support | 17 |
| Carburador | | Mango de soporte | |
| Carburetor | 7 | Coupler | 18 |
| Carburador | | Unión | |
| Intake | 8 | Labels | 19 |
| Admisión | | Etiquetas | |
| Exhaust | 9 | Maintenance Kits | 20 |
| Escape | | Juegos de mantenimiento | |
| Ignition S/N U89512001001 - U89512026000 | 10 | Bulk Pipe | 20 |
| Encendido N/S U89512001001 - U89512026000 | | Tubo Al Por Mayor | |
| Ignition S/N U89512026001 - U89512999999 | 11 | Bulk Starter Rope | 20 |
| Encendido N/S U89512026001 - U89512999999 | | Cuerda Del Arrancador Al Por Mayor | |
| Starter | 12 | | |
| Arrancador | | | |
| Fuel System | 13 | | |
| Sistema de combustible | | | |



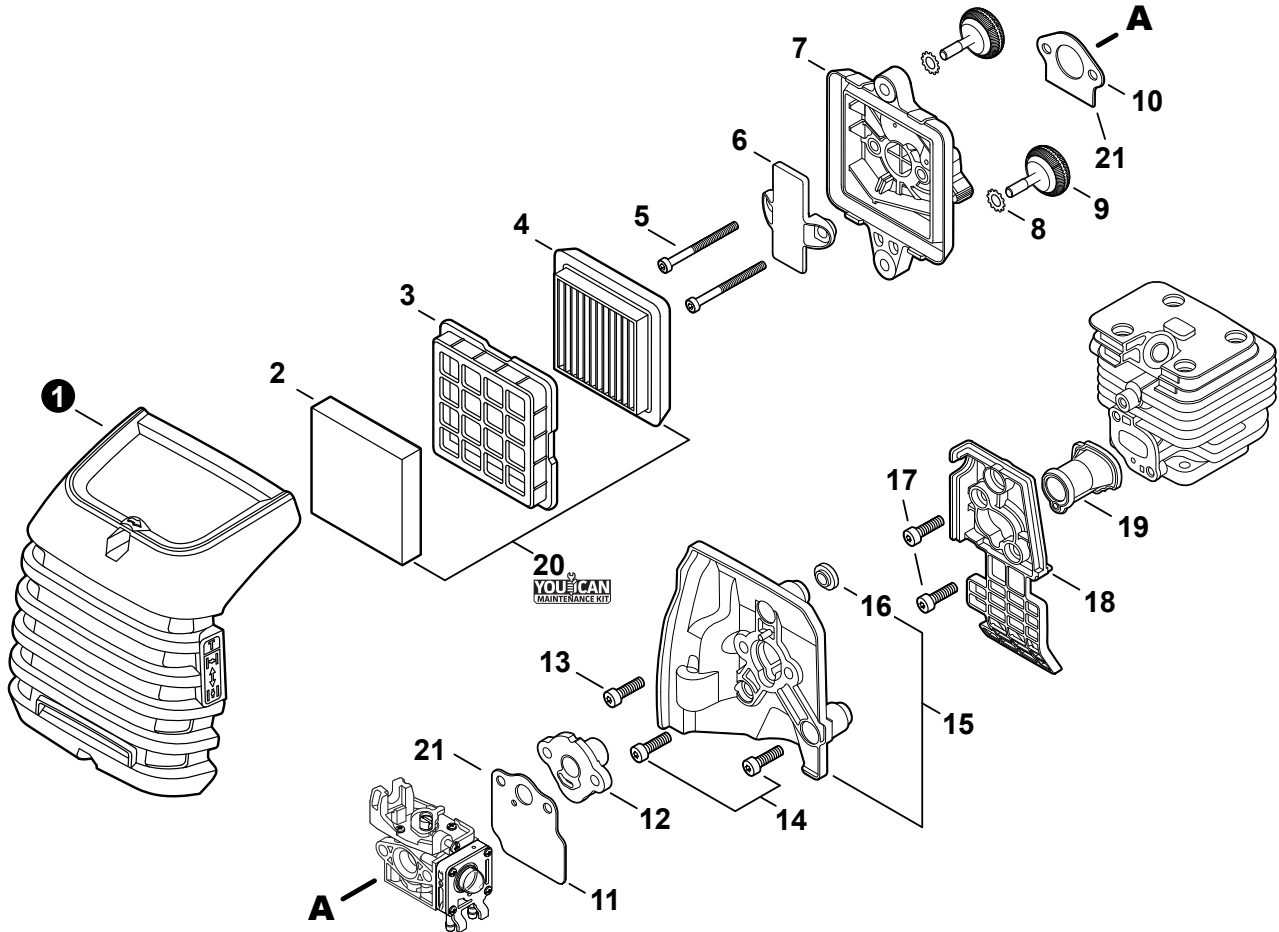
| NO. | PART NUMBER | QTY. | DESCRIPTION | DESCRIPCIÓN |
|-----|-------------|------|-----------------|--------------------------|
| 1 | A320001201 | 1 | COVER, MUFFLER | CUBIERTA DEL SILENCIADOR |
| 2 | A160003281 | 1 | COVER, ENGINE | CUBIERTA DE MOTOR |
| 3 | V835000010 | 4 | BOLT, TORX 5x12 | PERNO TORX 5x12 |



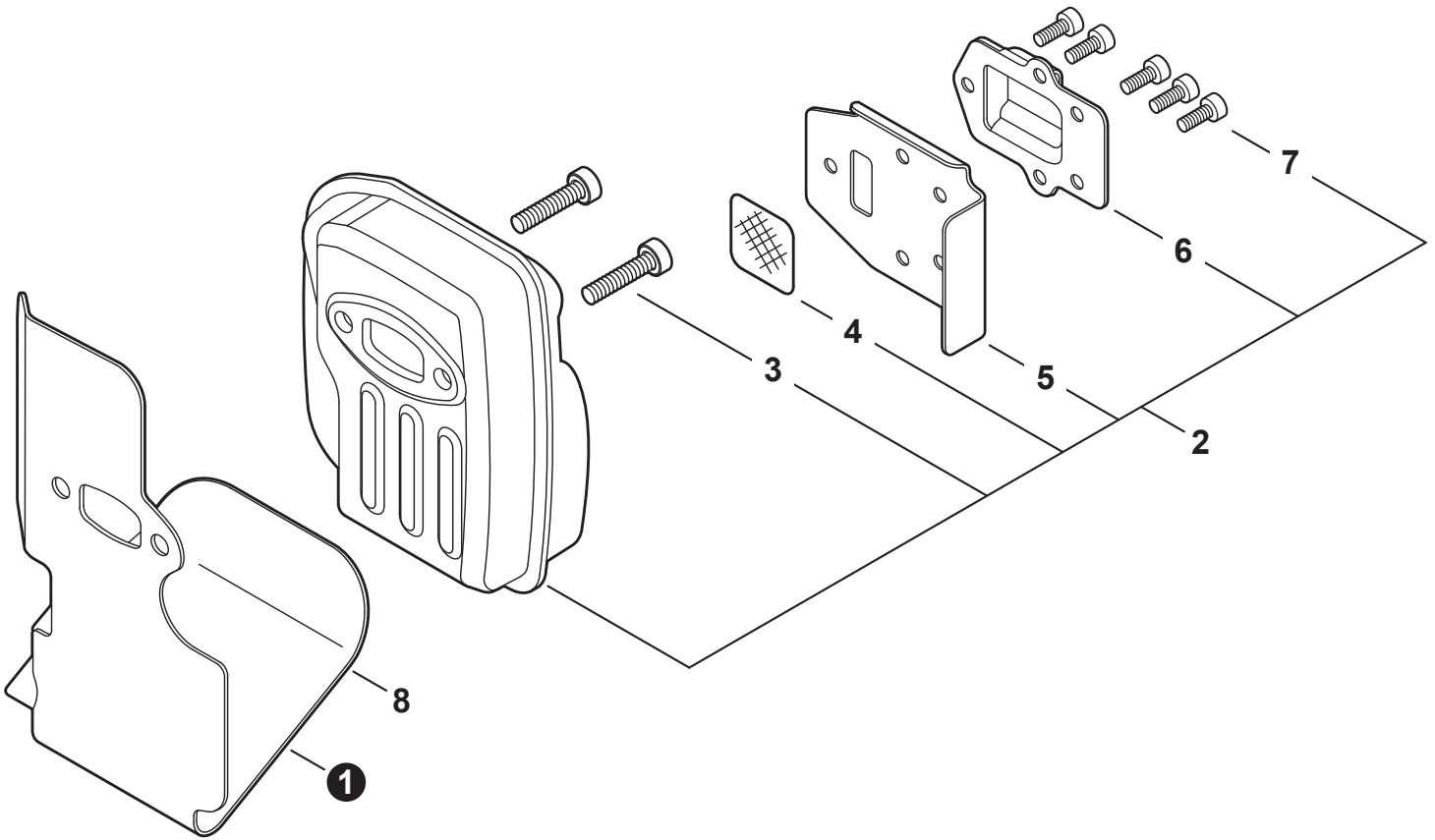
| NO. | PART NUMBER | QTY. | DESCRIPTION | DESCRIPCIÓN |
|-----|-------------|------|-------------------------------------|--|
| 1 | SB1118 | 1 | SHORT BLOCK | BLOQUE CORTO |
| 2 | V805000210 | 4 | +BOLT, TORX 5x20 | +PERNO TORX 5x20 |
| 3 | A130002330 | 1 | +CYLINDER | +CILINDRO |
| 4 | V103001900 | 1 | +GASKET, INTAKE | +EMPAQUETADURA DE ADMISIÓN |
| 5 | V103001890 | 1 | +HEAT SHIELD, INTAKE | +PROTECTOR TÉRMICO DEL ADMISIÓN |
| 6 | V104002310 | 1 | +HEAT SHIELD, EXHAUST | +PROTECTOR TÉRMICO DEL ESCAPE |
| 7 | V100000840 | 1 | +GASKET, CYLINDER | +EMPAQUETADURA DE CILINDRO |
| 8 | P021050840 | 1 | +PISTON KIT | +JUEGO DE PISTÓN |
| 9 | A101000010 | 2 | ++RING, PISTON | ++ANILLO DEL PISTÓN |
| 10 | 10001503931 | 2 | ++RING, SNAP | ++ANILLO RETENEDOR |
| 11 | V554000020 | 1 | ++BEARING, NEEDLE 9 | ++COJINETE DE AGUJAS 9 |
| 12 | 10001335430 | 1 | ++PIN, PISTON | ++PASADOR DEL PISTÓN |
| 13 | 10001453630 | 2 | ++WASHER, THRUST | ++ARANDELA DE EMPUJE |
| 14 | 10014212330 | 1 | +KEY, WOODRUFF | +CHAVETA WOODRUFF |
| 15 | A011001660 | 1 | +CRANKSHAFT ASSY | +MONTAJE DE CIGÜEÑAL |
| 16 | P021050850 | 1 | +CRANKCASE KIT | +JUEGO DE CÁRTER |
| 17 | V805000220 | 3 | ++BOLT, TORX 5x25 | ++PERNO TORX 5x25 |
| 18 | 10021242031 | 1 | ++SEAL, OIL 12 | ++SELLO DE ACEITE 12 |
| 19 | 90033040080 | 2 | ++PIN, LOCATING 4x8 | ++PASADOR DE POSICIONAMIENTO 4x8 |
| 20 | V102000300 | 1 | ++GASKET, CRANKCASE | ++EMPAQUETADURA DE CÁRTER |
| 21 | 90080036001 | 1 | ++BEARING, BALL 6001 | ++COJINETE DE BOLAS 6001 |
| 22 | 90081036000 | 1 | ++BEARING, BALL | ++COJINETE DE BOLAS |
| 23 | V503000040 | 1 | ++SEAL, OIL 10 | ++SELLO DE ACEITE 10 |
| 24 | P021051540 | 1 | GASKET KIT: ENGINE, INTAKE, EXHAUST | JUEGO DE EMPAQUETADURA - MOTOR, ADMISIÓN, ESCAPE |



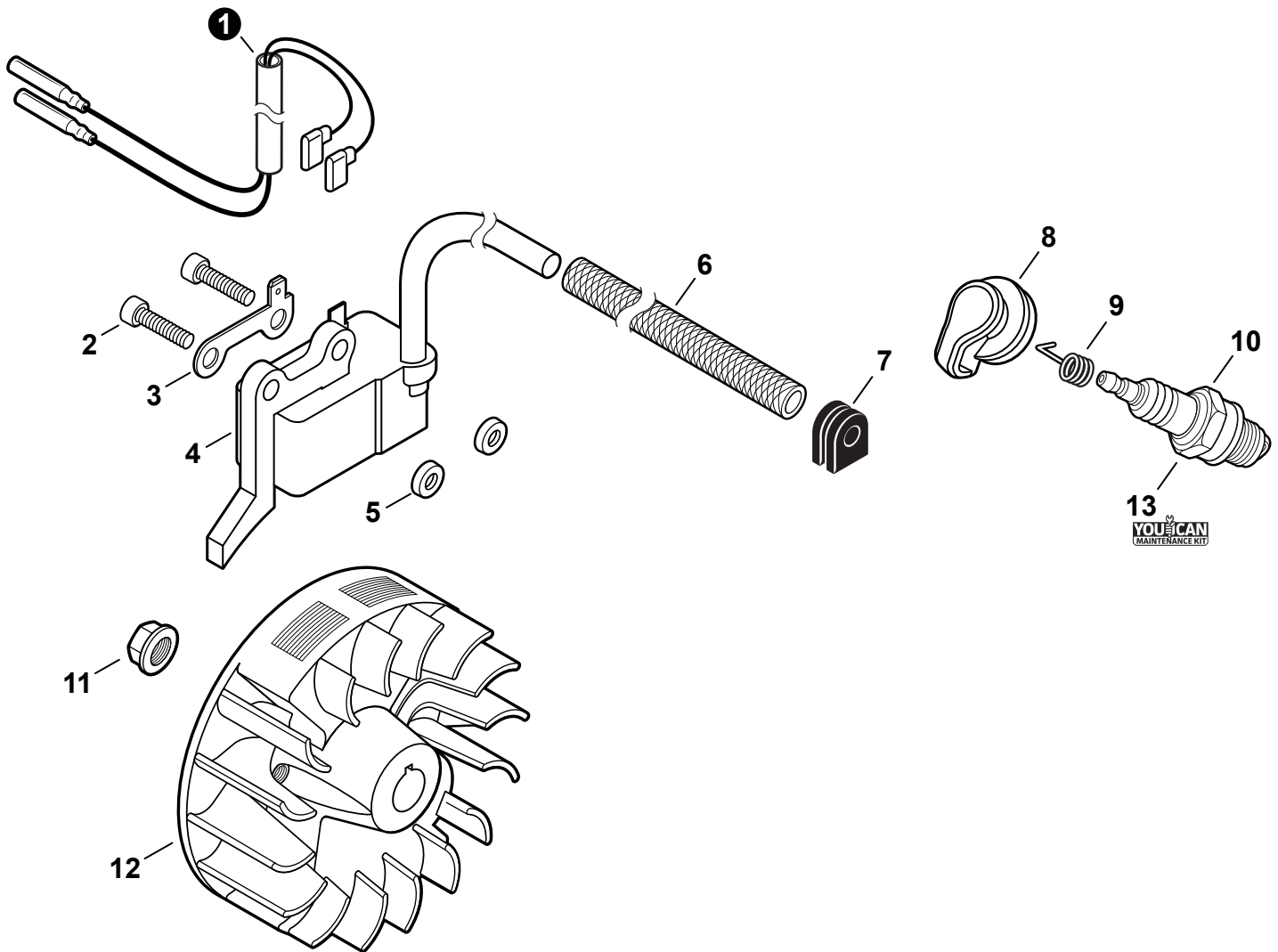
| NO. | PART NUMBER | QTY. | DESCRIPTION | DESCRIPCIÓN |
|-----|-------------|------|------------------------------|--|
| 1 | A021005600 | 1 | CARBURETOR - WYG-23A | CARBURADOR - WYG-23A |
| 2 | P003004560 | 7 | +SCREW | +TORNILLO |
| 3 | P021054860 | 1 | +SWIVEL KIT | +KIT DE PIVOTE |
| 4 | 12314954230 | 1 | +WASHER | +ARANDELA |
| 5 | 12317307930 | 1 | +E-RING | +RETENEDOR TIPO "E" |
| 6 | P003006620 | 1 | +THROTTLE VALVE ASSY | +MONTAJE DE VÁLVULA DEL ACELERADOR |
| 7 | P003004480 | 1 | ++O-RING | ++JUNTA TÓRICA |
| 8 | P003005880 | 1 | +NEEDLE, MIXTURE | +AGUJA DE REGULACION |
| 9 | P003006120 | 1 | +BODY ASSY, PUMP | +MONTAJE DE CUERPO DE BOMBA |
| 10 | A263000020 | 1 | +BULB, PURGE | +BULBO DE PURGA |
| 11 | P003006500 | 1 | +COVER, FUEL PUMP | +TAPA DE LA BOMBA DE COMBUSTIBLE |
| 12 | P003004570 | 4 | +SCREW | +TORNILLO |
| 13 | 12314203930 | 1 | +COVER, METERING DIAPHRAGM | +TAPA DE DIAFRAGMA DE MEDICIÓN |
| 14 | P003005860 | 1 | +SCREW | +TORNILLO |
| 15 | P003005870 | 1 | +SPRING | +RESORTE |
| 16 | P003005940 | 1 | +REPAIR KIT, CARBURETOR | +JUEGO DE REPARACIÓN DE CARBURADOR |
| 17 | | 1 | ++GASKET, FUEL PUMP | ++EMPAQUETADURA DE LA BOMBA DE COMBUSTIBLE |
| 18 | | 1 | ++DIAPHRAGM, FUEL PUMP | ++DIAFRAGMA DE LA BOMBA DE COMBUSTIBLE |
| 19 | | 1 | ++SCREEN, FUEL INLET | ++MALLA FILTRADORA |
| 20 | | 1 | ++LEVER, METERING | ++PALANCA DE MEDICIÓN |
| 21 | | 1 | ++PIN, METERING LEVER | ++PASADOR DE PALANCA DE MEDICIÓN |
| 22 | | 1 | ++VALVE, INLET NEEDLE | ++VÁLVULA REGULADORA |
| 23 | | 1 | ++GASKET, METERING DIAPHRAGM | ++EMPAQUETADURA DE DIAFRAGMA DE MEDICIÓN |
| 24 | | 1 | ++DIAPHRAGM, METERING | ++DIAFRAGMA DE MEDICIÓN |



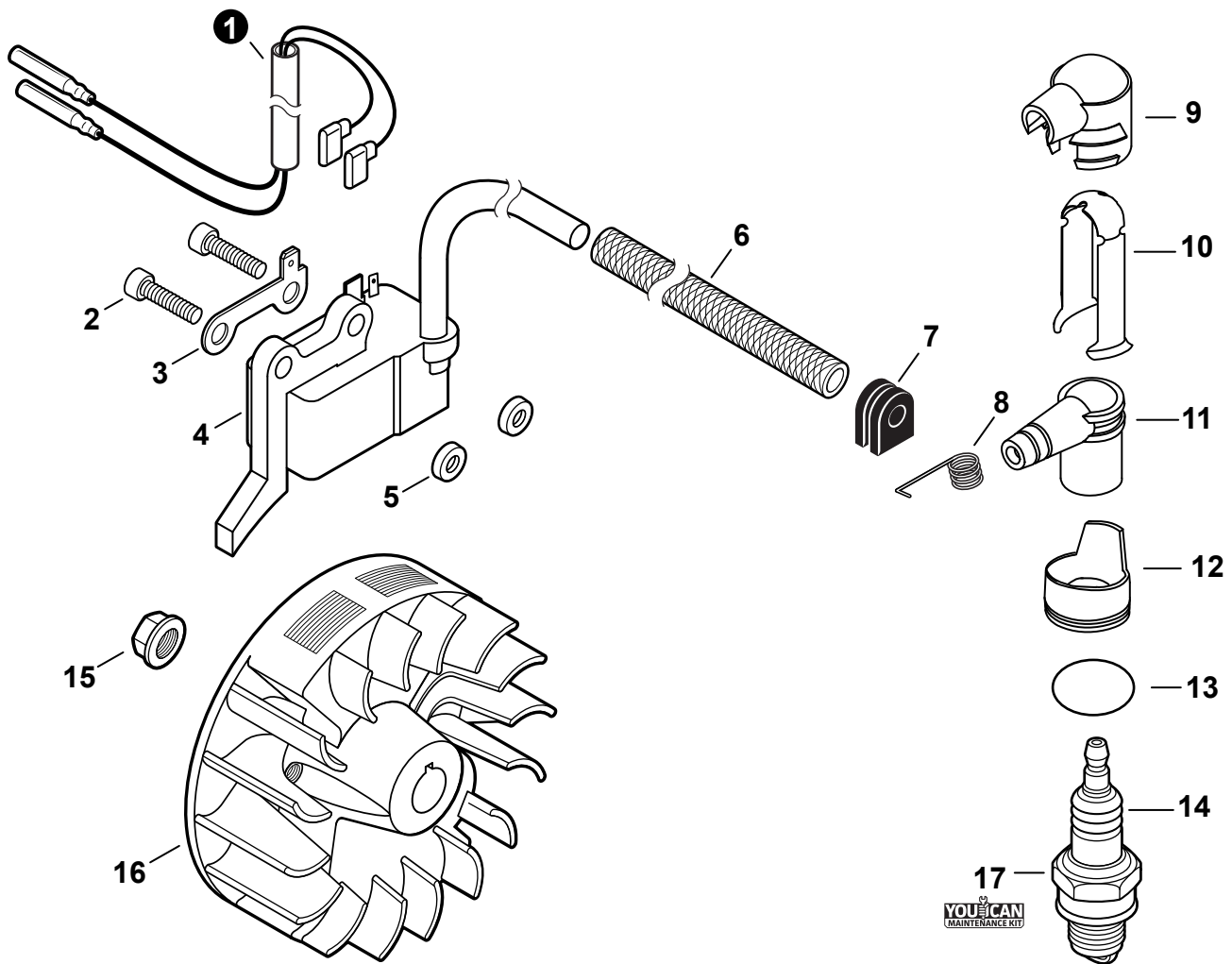
| NO. | PART NUMBER | QTY. | DESCRIPTION | DESCRIPCIÓN |
|-----|-------------------|------|--|---|
| 1 | A232001891 | 1 | COVER, AIR FILTER | CUBIERTA DEL FILTRO DE AIRE |
| 2 | A226002040 | 1 | PRE-FILTER, FOAM | PRÉ-FILTRO DE ESPUMA |
| 3 | A227000050 | 1 | RETAINER, PRE-FILTER | RETENEDOR, PRE-FILTRO |
| 4 | A226002030 | 1 | FILTER, AIR | FILTRO DE AIRE |
| 5 | V805000430 | 2 | BOLT, TORX 5x60 | PERNO TORX 5x60 |
| 6 | A244000360 | 1 | PLATE, PREVENT | PLACA DE PREVENCIÓN |
| 7 | P021050880 | 1 | CASE, AIR FILTER | CAJA DEL FILTRO DE AIRE |
| 8 | V340000210 | 2 | WASHER, LOCK | ARANDELA DE SEGURIDAD |
| 9 | V299000640 | 2 | THUMBSCREW | TORNILLO DE OREJETAS |
| 10 | V103001900 | 1 | GASKET, INTAKE | EMPAQUETADURA DE ADMISIÓN |
| 11 | V103001890 | 1 | HEAT SHIELD, INTAKE | PROTECTOR TÉRMICO DEL ADMISIÓN |
| 12 | A209001000 | 1 | BOOT, INSULATOR PLATE | BOTA, PLACA AISLANTE |
| 13 | V855000000 | 1 | BOLT, TORX 5x20 | PERNO TORX 5x20 |
| 14 | V805000150 | 2 | BOLT, TORX 5x16 | PERNO TORX 5x16 |
| 15 | A209001010 | 1 | PLATE, INSULATOR | PLACA AISLANTE |
| 16 | V353000020 | 1 | +COLLAR 5 | +COLLAR 5 |
| 17 | V253001020 | 2 | SCREW 5x16 | TORNILLO 5x16 |
| 18 | A206000040 | 1 | HOLDER, BELLOWS | SOPORTE DE FUELLE |
| 19 | A202000300 | 1 | BELLOWS, INTAKE | FUELLE DE ADMISIÓN |
| 20 | 90181Y | 1 | TUNE-UP KIT - YOU CAN™ | JUEGO DE PUESTA A PUNTO - YOU CAN™ |
| 21 | P021051540 | 1 | GASKET KIT: ENGINE, INTAKE, EXHAUST | JUEGO DE EMPAQUETADURA - MOTOR, ADMISIÓN, ESCAPE |



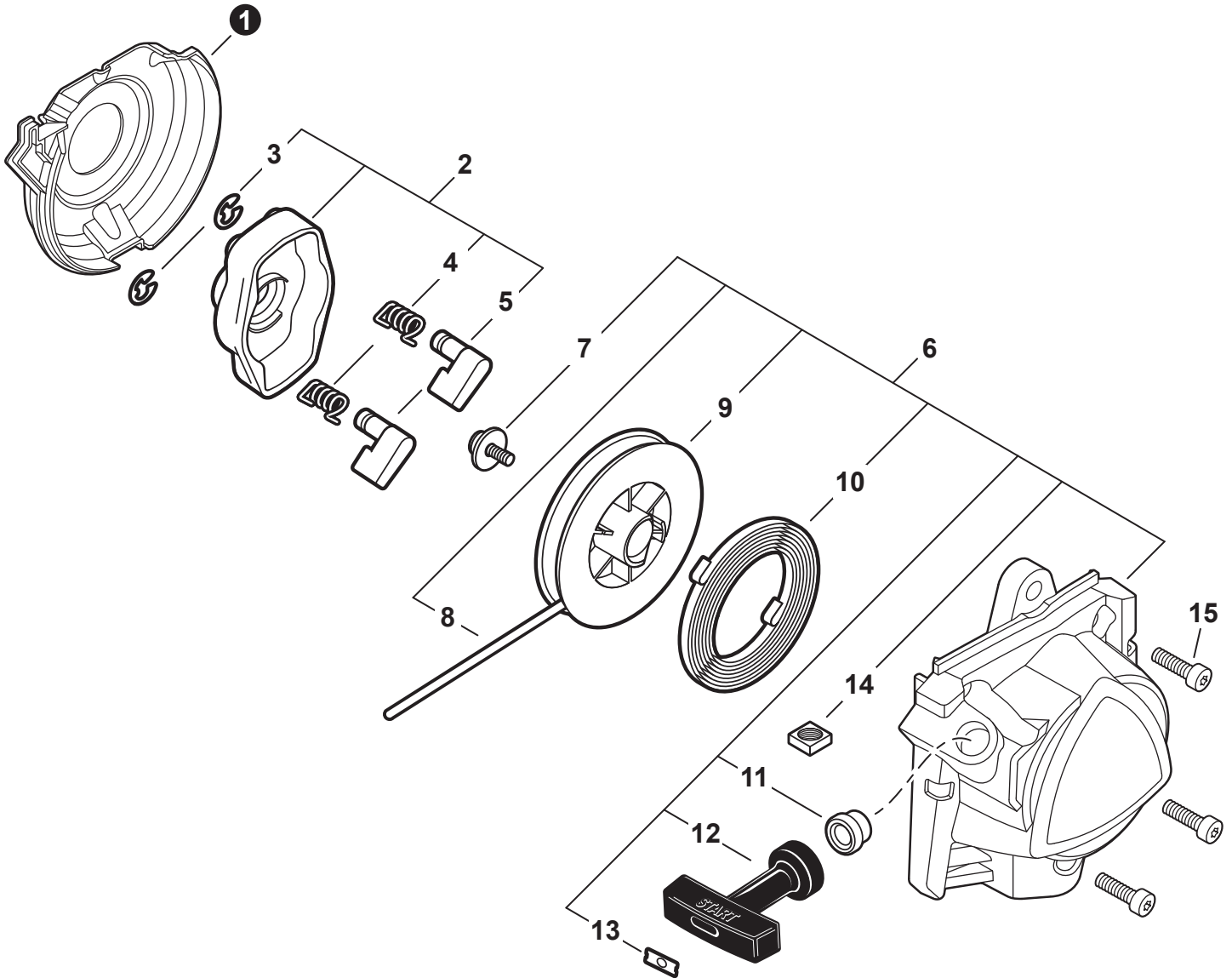
| NO. | PART NUMBER | QTY. | DESCRIPTION | DESCRIPCIÓN |
|-----|-------------|------|-------------------------------------|--|
| 1 | V104002310 | 1 | HEAT SHIELD, EXHAUST | PROTECTOR TÉRMICO DEL ESCAPE |
| 2 | P021050901 | 1 | MUFFLER ASSY | MONTAJE DE SILENCIADOR |
| 3 | V805000250 | 2 | +BOLT, TORX 5x16 | +PERNO TORX 5x16 |
| 4 | 14586240630 | 1 | +SCREEN, SPARK ARRESTER | +SUPRESOR DE CHISPAS |
| 5 | V104002300 | 1 | +GASKET, EXHAUST | +EMPAQUETADURA DE ESCAPE |
| 6 | A313002060 | 1 | +GUIDE, EXHAUST | +GUÍA DE ESCAPE |
| 7 | V804000030 | 5 | +BOLT, TORX 4x8 | +PERNO TORX 4x8 |
| 8 | P021051540 | 1 | GASKET KIT: ENGINE, INTAKE, EXHAUST | JUEGO DE EMPAQUETADURA - MOTOR, ADMISIÓN, ESCAPE |



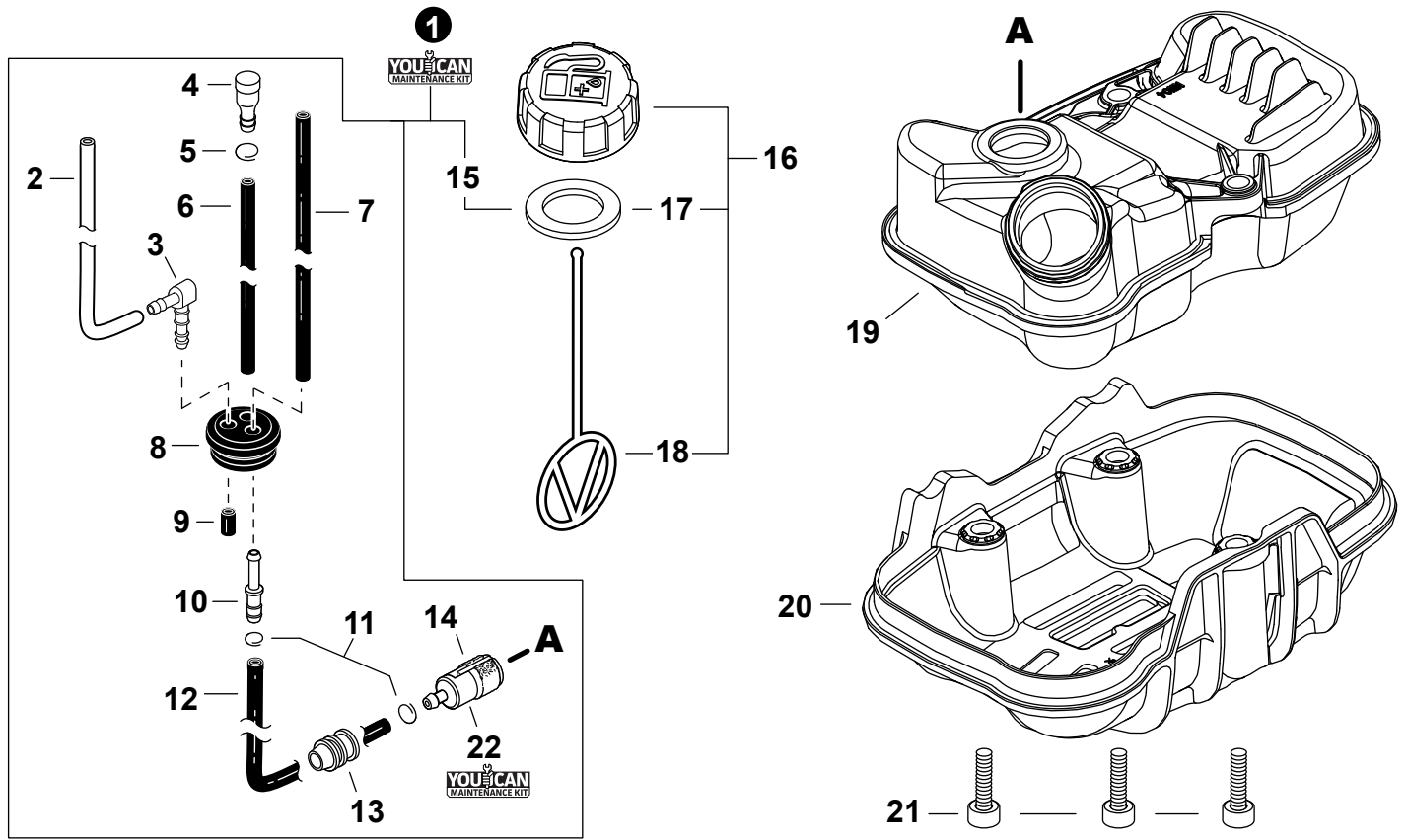
| NO. | PART NUMBER | QTY. | DESCRIPTION | DESCRIPCIÓN |
|-----|-------------|------|-----------------------|-----------------------------------|
| 1 | V485002881 | 1 | LEAD SET - IGNITION | JUEGO DE CABLE DE ENCENDIDO |
| 2 | V805000210 | 2 | BOLT, TORX 5x20 | PERNO TORX 5x20 |
| 3 | C152001030 | 1 | CONNECTOR | CONECTOR |
| 4 | A411001791 | 1 | COIL, IGNITION | BOBINA DE ENCENDIDO |
| 5 | V323000070 | 2 | SPACER 5 | ESPACIADOR 5 |
| 6 | V475007540 | 1 | TUBE, INSULATOR | TUBO AISLANTE |
| 7 | 15611004920 | 1 | GROMMET | OJAL |
| 8 | A427000221 | 1 | CAP, SPARK PLUG | TAPA DE BUJÍA |
| 9 | A426000010 | 1 | TERMINAL, SPARK PLUG | TERMINAL DE BUJÍA |
| 10 | A425000060 | 1 | SPARK PLUG - CMR7H | BUJÍA - CMR7H |
| 11 | 90051500008 | 1 | NUT, FLANGE M8 | TUERCA-BRIDA M8 |
| 12 | A409001320 | 1 | FLYWHEEL | VOLANTE |
| 13 | 90181Y | 1 | TUNE-UP KIT - YOUCAN™ | JUEGO DE PUESTA A PUNTO - YOUCAN™ |



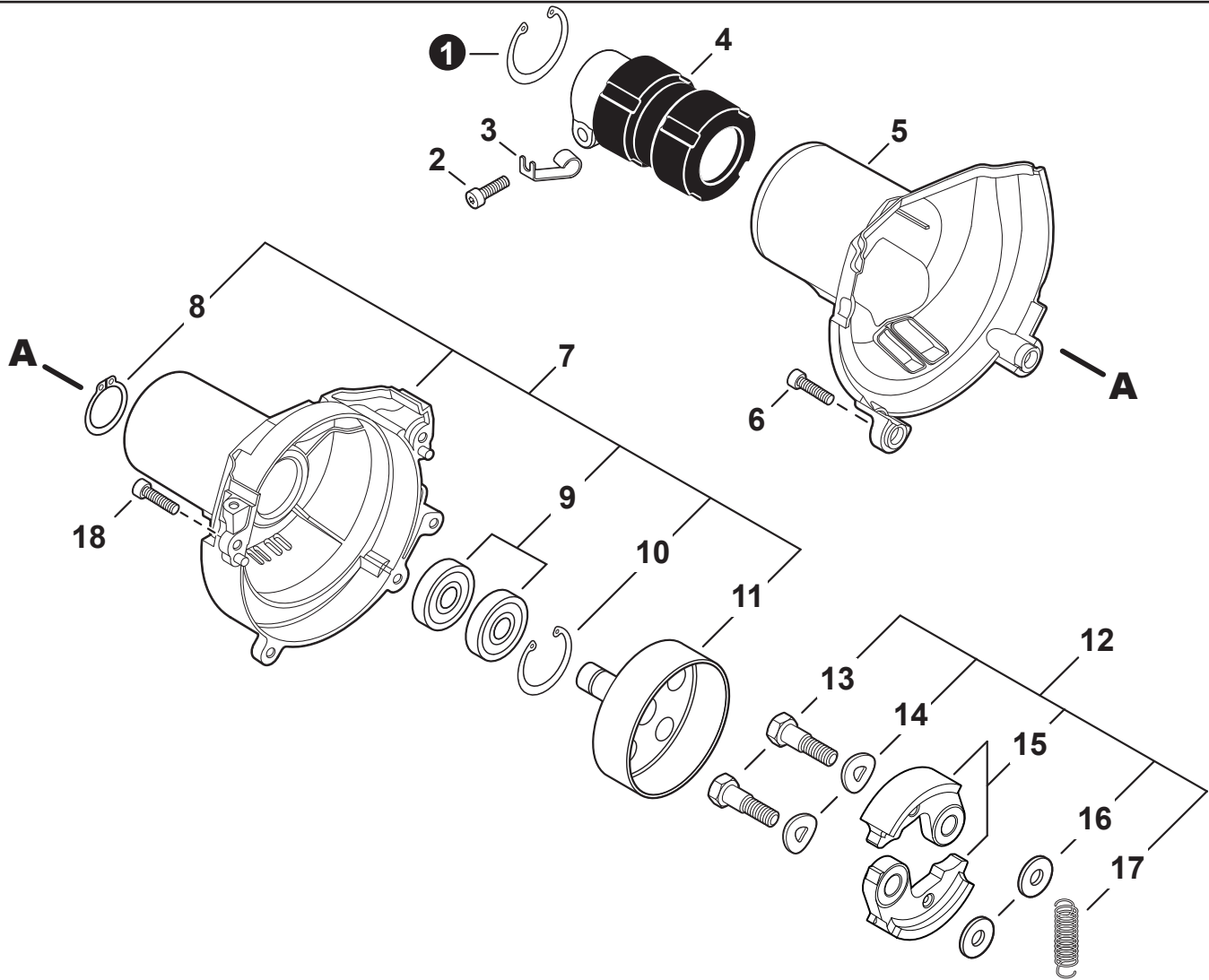
| NO. | PART NUMBER | QTY. | DESCRIPTION | DESCRIPCIÓN |
|-----|-------------|------|-----------------------|-----------------------------------|
| 1 | V485002881 | 1 | LEAD SET - IGNITION | JUEGO DE CABLE DE ENCENDIDO |
| 2 | V805000210 | 2 | BOLT, TORX 5x20 | PERNO TORX 5x20 |
| 3 | C152001030 | 1 | CONNECTOR | CONECTOR |
| 4 | A411002270 | 1 | COIL, IGNITION | BOBINA DE ENCENDIDO |
| 5 | V323000070 | 2 | SPACER 5 | ESPACIADOR 5 |
| 6 | V475007540 | 1 | TUBE, INSULATOR | TUBO AISLANTE |
| 7 | 15611004920 | 1 | GROMMET | OJAL |
| 8 | 15901103432 | 1 | TERMINAL, SPARK PLUG | TERMINAL DE BUJÍA |
| 9 | A429000110 | 1 | COVER, CAP | TAPA |
| 10 | V151000170 | 1 | SHIELD, SPARK PLUG | PROTECTOR DE BUJÍA |
| 11 | A427000090 | 1 | CAP, SPARK PLUG | TAPA DE BUJÍA |
| 12 | J473000120 | 1 | PIECE, COVER | PIEZA, CUBIERTA |
| 13 | 90072000022 | 1 | O-RING 22 | JUNTA TÓRICA 22 |
| 14 | A425000060 | 1 | SPARK PLUG - CMR7H | BUJÍA - CMR7H |
| 15 | 90051500008 | 1 | NUT, FLANGE M8 | TUERCA-BRIDA M8 |
| 16 | A409001320 | 1 | FLYWHEEL | VOLANTE |
| 17 | 90181Y | 1 | TUNE-UP KIT - YOUCAN™ | JUEGO DE PUESTA A PUNTO - YOUCAN™ |



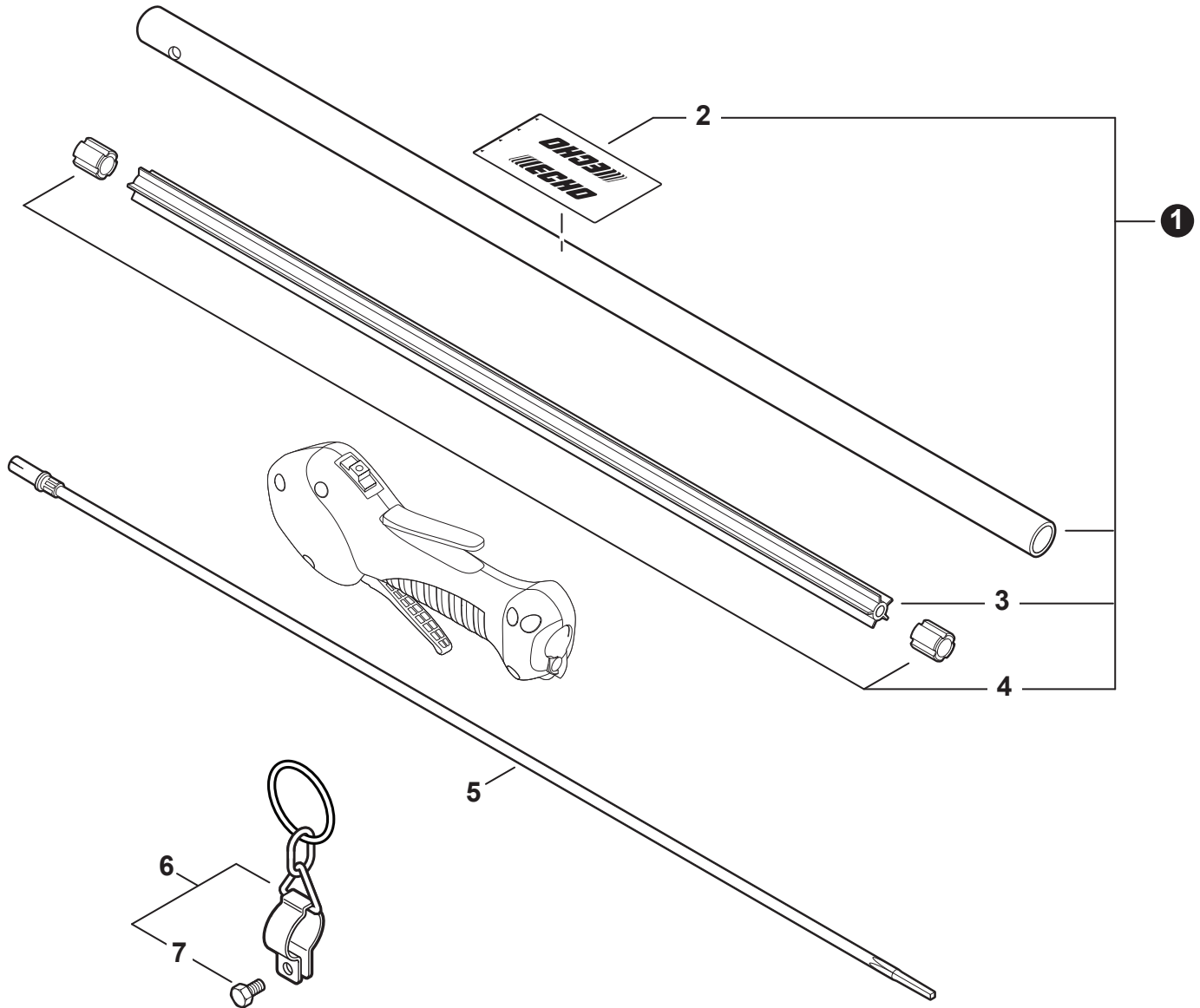
| NO. | PART NUMBER | QTY. | DESCRIPTION | DESCRIPCIÓN |
|-----|-------------------|------|-----------------------------|---|
| 1 | A127000470 | 1 | COVER, DUST | CUBIERTA ANTIPOLVO |
| 2 | A052000030 | 1 | PAWL ASSY, STARTER | MONTAJE DE TRINQUETE |
| 3 | P022002100 | 2 | +E-RING 4 | +RETENEDOR TIPO "E" 4 |
| 4 | 17723440630 | 2 | +SPRING, RETURN | +RESORTE DE RETORNO |
| 5 | P022003120 | 2 | +PAWL, STARTER | +TRINQUETE |
| 6 | A051003210 | 1 | STARTER ASSY, RECOIL | MONTAJE DE ARRANCADOR AUTORRETRÁCTIL |
| 7 | 17723644330 | 1 | +SCREW | +TORNILLO |
| 8 | P022043690 | 1 | +ROPE, STARTER | +CUERDA DEL ARRANCADOR |
| 9 | 17721540630 | 1 | +REEL, ROPE | +CARRETE DE CUERDA |
| 10 | 17722040630 | 1 | +SPRING, RECOIL | +RESORTE RECULAR |
| 11 | 17722742030 | 1 | +GUIDE, ROPE | +GUÍA DE CUERDA |
| 12 | 17722827030 | 1 | +GRIP, STARTER | +AGARRE DEL ARRANCADOR |
| 13 | P022037670 | 1 | +RETAINER, ROPE | +RETENEDOR DE CUERDA |
| 14 | 90056550005 | 2 | +NUT - 5 - SQUARE | +TUERCA - 5 - CUADR |
| 15 | V805000140 | 3 | BOLT, TORX 5x12 | PERNO TORX 5x12 |



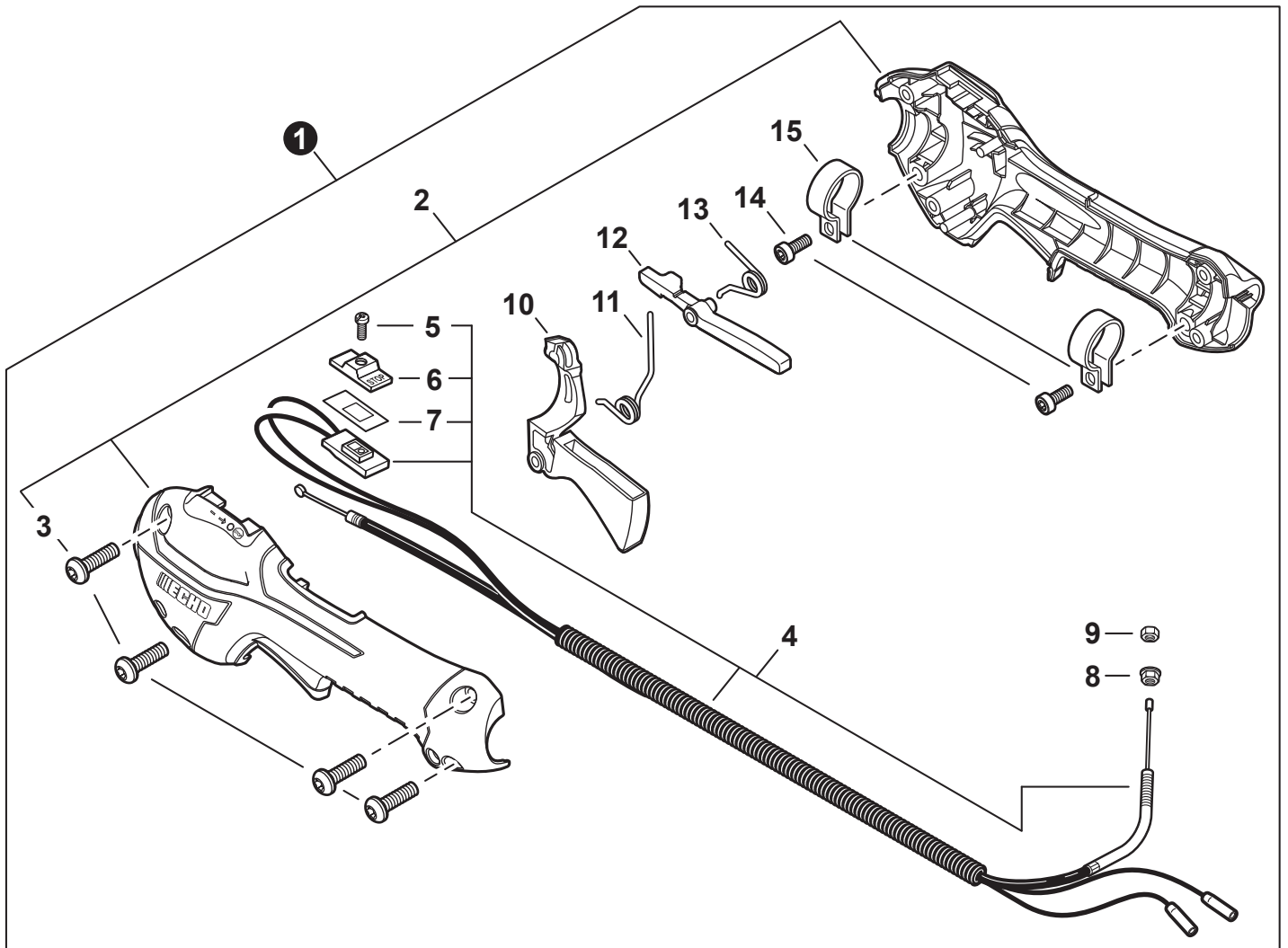
| NO. | PART NUMBER | QTY. | DESCRIPTION | DESCRIPCIÓN |
|-----|-------------|------|----------------------------|--|
| 1 | 90261Y | 1 | FUEL SYSTEM KIT - YOUCAN™ | KIT DEL SISTEMA DE COMBUSTIBLE - YOUCAN™ |
| 2 | V471006080 | 1 | +PIPE, FUEL 3x6x75 CLEAR | +TUBO DE COMBUSTIBLE 3x6x75 TRANSPARENTE |
| 3 | V186000500 | 1 | +CONNECTOR, PIPE | +CONECTOR DE TUBO |
| 4 | A356000230 | 1 | +VENT ASSY | +VÁLVULA DE RESPIRADERO |
| 5 | V490001230 | 1 | +CLIP 6.5 MM | +SUJETADOR 6.5 MM |
| 6 | 13201006531 | 1 | +PIPE, FUEL 3x6x85 BLACK | +TUBO DE COMBUSTIBLE 3x6x85 NEGRO |
| 7 | V471005640 | 1 | +PIPE, FUEL 3x5.5x80 BLACK | +TUBO DE COMBUSTIBLE 3x5.5x80 NEGRO |
| 8 | 13211555931 | 1 | +GROMMET, FUEL | +OJAL DE COMBUSTIBLE |
| 9 | 10092735830 | 1 | +PIPE 3x7x10 - BLACK | +TUBO 3x7x10 NEGRO |
| 10 | V186000520 | 1 | +CONNECTOR, PIPE 5x3.5 | +CONECTOR DE TUBO 5x3.5 |
| 11 | V490001240 | 2 | +CLIP 6 | +SUJETADOR 6 |
| 12 | V471003661 | 1 | +PIPE, FUEL 3x5x115 BLACK | +TUBO DE COMBUSTIBLE 3x5x115 NEGRO |
| 13 | A413000190 | 1 | +BOOT | +BOTA |
| 14 | A369000470 | 1 | +FILTER, FUEL | +FILTRO DE COMBUSTIBLE |
| 15 | V107000230 | 1 | +GASKET, FUEL CAP | +EMPAQUETADURA DE TAPA DE COMBUSTIBLE |
| 16 | P100014430 | 1 | CAP ASSY, FUEL | MONTAJE DE TAPA DE COMBUSTIBLE |
| 17 | V107000230 | 1 | +GASKET, FUEL CAP | +EMPAQUETADURA DE TAPA DE COMBUSTIBLE |
| 18 | A365000060 | 1 | +CONNECTOR, CAP L= 123 | +CONECTOR DE TAPA L= 123 |
| 19 | A350002811 | 1 | TANK, FUEL | TANQUE DE COMBUSTIBLE |
| 20 | A175000460 | 1 | GUARD, FUEL TANK | PROTECTOR, TANQUE DE COMBUSTIBLE |
| 21 | V253000990 | 3 | BOLT 5x20 | PERNO 5x20 |
| 22 | 90181Y | 1 | TUNE-UP KIT - YOUCAN™ | JUEGO DE PUESTA A PUNTO - YOUCAN™ |



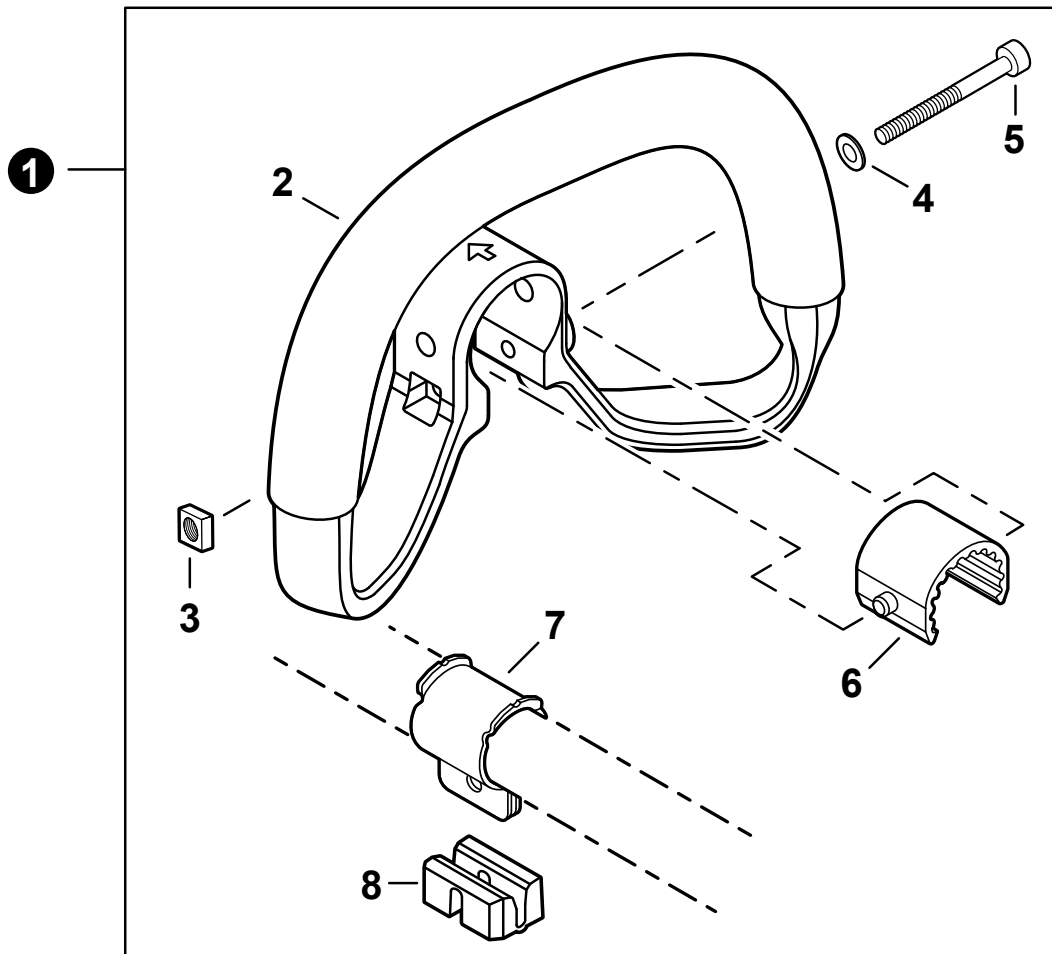
| NO. | PART NUMBER | QTY. | DESCRIPTION | DESCRIPCIÓN |
|-----|-------------------|------|----------------------------|--|
| 1 | 90070200042 | 1 | RING, SNAP 42 | ANILLO RETENEDOR 42 |
| 2 | V805000170 | 1 | BOLT, TORX 5x25 | PERNO TORX 5x25 |
| 3 | V490001520 | 1 | CLIP, CABLE | SUJETADOR DE CABLE |
| 4 | A575000640 | 1 | HOLDER, MAIN PIPE | SUJETADOR DE TUBO PRINCIPAL |
| 5 | A413000080 | 1 | PROTECTOR, FAN COVER | PROTECTOR DEL CUBIERTA DE VENTILADOR |
| 6 | V805000160 | 2 | BOLT, TORX 5x20 | PERNO TORX 5x20 |
| 7 | P021054130 | 1 | COVER ASSY, FAN | MONTAJE DE CUBIERTA DE VENTILADOR |
| 8 | 90070100012 | 1 | +RING, SNAP 12 | +ANILLO RETENEDOR 12 |
| 9 | 9406106001 | 2 | +BEARING, BALL 6001 | +COJINETE DE BOLAS 6001 |
| 10 | 90070200028 | 1 | +RING, SNAP 28 | +ANILLO RETENEDOR 28 |
| 11 | A556001760 | 1 | +DRUM, CLUTCH | +TAMBOR DE EMBRAGUE |
| 12 | P021050860 | 1 | CLUTCH ASSY | MONTAJE DE EMBRAGUE |
| 13 | 17504656030 | 2 | +BOLT, CLUTCH 8x7.9xM6 | +PERNO DE EMBRAGUE 8x7.9xM6 |
| 14 | 17504956030 | 2 | +WASHER, SPRING 8.5x16x0.5 | +ARANDELA DE PRESION 8.5x16x0.5 |
| 15 | A553000190 | 2 | +SHOE, CLUTCH | +ZAPATA DE EMBRAGUE |
| 16 | 17504805530 | 2 | +WASHER 6.2x19x1.0 | +ARANDELA 6.2x19x1.0 |
| 17 | V451001390 | 1 | +SPRING, CLUTCH | +RESORTE DEL EMBRAGUE |
| 18 | V805000150 | 2 | BOLT, TORX 5x16 | PERNO TORX 5x16 |



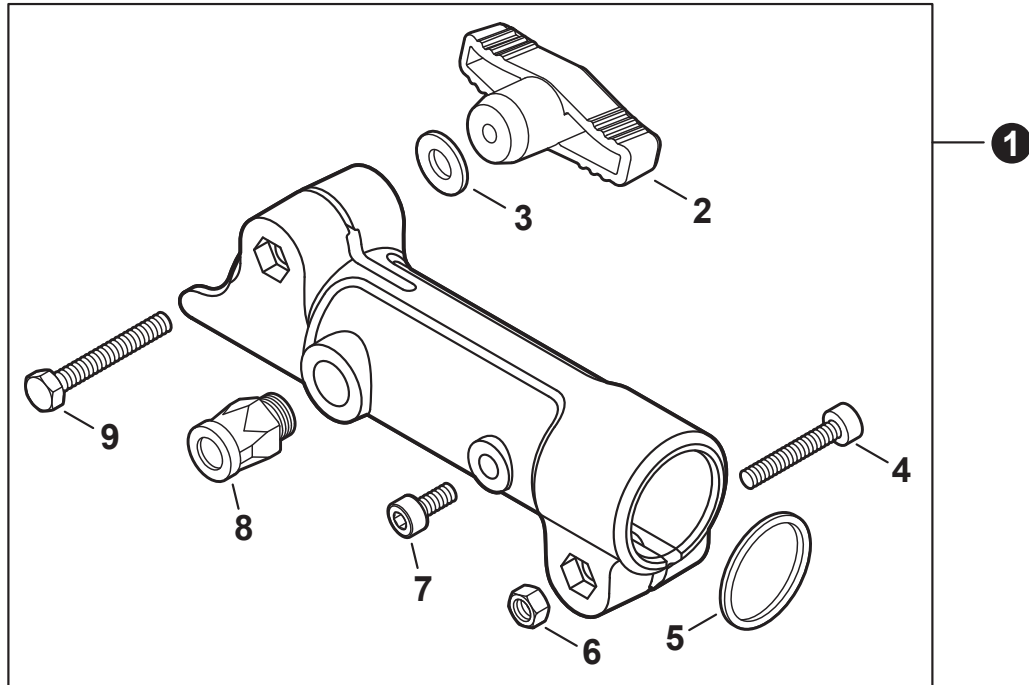
| NO. | PART NUMBER | QTY. | DESCRIPTION | DESCRIPCIÓN |
|-----|-------------|------|--------------------------|---------------------------------|
| 1 | C050003160 | 1 | MAIN PIPE ASSY | MONTAJE DE TUBO PRINCIPAL |
| 2 | X505001930 | 1 | +LABEL - HANDLE LOCATION | +ETIQUETA - UBICACIÓN DEL MANGO |
| 3 | C507000230 | 1 | +LINER - FLEXIBLE | +FORRO - FLEXIBLE |
| 4 | 61024644730 | 2 | +STOPPER | +RETENEDOR |
| 5 | C506000800 | 1 | DRIVESHAFT - FLEXIBLE | EJE DE MANDO - FLEXIBLE |
| 6 | P021051240 | 1 | HANGER SET, HARNESS | JUEGO DE COLGADOR DE ARNÉS |
| 7 | V805000140 | 1 | +BOLT, TORX 5x12 | +PERNO TORX 5x12 |



| NO. | PART NUMBER | QTY. | DESCRIPTION | DESCRIPCIÓN |
|-----|-------------|------|--------------------------|----------------------------------|
| 1 | P021052270 | 1 | CONTROL HANDLE ASSY | MONTAJE DE MANGO DE CONTROL |
| 2 | P021044371 | 1 | +CONTROL HANDLE KIT | +JUEGO DE MANGO DE CONTROL |
| 3 | V805000000 | 4 | ++BOLT, TORX 5x16 | ++PERNO TORX 5x16 |
| 4 | P100002240 | 1 | +CABLE ASSY, CONTROL | +MONTAJE DE CABLE PARA CONTROL |
| 5 | 9154503010 | 1 | ++SCREW 3x10 | ++TORNILLO 3x10 |
| 6 | A444000020 | 1 | ++KNOB, SWITCH - ORANGE | ++BOTÓN DE INTERRUPTOR - NARANJA |
| 7 | V541000600 | 1 | ++SEAL, SWITCH | ++SELLO DE INTERRUPTOR |
| 8 | 90051800006 | 1 | +NUT, FLANGE M6 | +TUERCA-BRIDA M6 |
| 9 | 90050200006 | 1 | +NUT M6 | +TUERCA M6 |
| 10 | C453000482 | 1 | +TRIGGER, THROTTLE | +GATILLO DEL ACELERADOR |
| 11 | V452001520 | 1 | +SPRING, TORSION | +RESORTE DE TORSIÓN |
| 12 | C460000441 | 1 | +LEVER, THROTTLE LOCKOUT | +PALANCA SEGURO DEL ACELERADOR |
| 13 | V452001510 | 1 | +SPRING, TORSION | +RESORTE DE TORSIÓN |
| 14 | V805000150 | 2 | +BOLT, TORX 5x16 | +PERNO TORX 5x16 |
| 15 | V495003020 | 2 | +CLAMP | +ABRAZADERA |



| NO. | PART NUMBER | QTY. | DESCRIPTION | DESCRIPCIÓN |
|-----|-------------|------|-----------------------|-----------------------------|
| 1 | P021047682 | 1 | HANDLE ASSY - SUPPORT | MONTAJE DE MANGO DE SOPORTE |
| 2 | C400001021 | 1 | +HANDLE, SUPPORT | +MANGO DE SOPORTE |
| 3 | V263000130 | 1 | +NUT M5 | +TUERCA M5 |
| 4 | 90060300005 | 1 | +WASHER 5.5x12x0.8 | +ARANDELA 5.5x12x0.8 |
| 5 | V805000280 | 1 | +BOLT, TORX 5x45 | +PERNO TORX 5x45 |
| 6 | V420003700 | 1 | +CUSHION | +AMORTIGUADOR |
| 7 | C610000100 | 1 | +BRACKET, MOUNTING | +SOPORTE DE MONTAJE |
| 8 | C401000280 | 1 | +SPACER | +ESPACIADOR |



| NO. | PART NUMBER | QTY. | DESCRIPTION | DESCRIPCIÓN |
|-----|-------------|------|----------------------|-----------------------|
| 1 | C510000330 | 1 | COUPLER ASSY | MONTAJE DE UNIÓN |
| 2 | V299000660 | 1 | +THUMBSCREW | +TORNILLO DE OREJETAS |
| 3 | V304000040 | 1 | +WASHER 6.6x20x1.6 | +ARANDELA 6.6x20x1.6 |
| 4 | V806000020 | 1 | +BOLT, TORX 6x25 | +PERNO TORX 6x25 |
| 5 | V312000010 | 1 | +WASHER 18 SPR STEEL | +ARANDELA 18 |
| 6 | 90051400006 | 1 | +NUT | +TUERCA |
| 7 | V805000130 | 1 | +BOLT, TORX 5x10 | +PERNO TORX 5x10 |
| 8 | 17830256630 | 1 | +LATCH ASSY | +MONTAJE DE PESTILLO |
| 9 | 9108506040 | 1 | +BOLT 6x40 | +PERNO 6x40 |



| NO. | PART NUMBER | QTY. | DESCRIPTION | DESCRIPCIÓN |
|-----|-------------|------|-----------------------------------|--------------------------------|
| 1 | X503014401 | 1 | LABEL - MODEL PAS-2620 | ETIQUETA MODELO PAS-2620 |
| 2 | X547003200 | 1 | LABEL - RECOIL STARTER - PAS-2620 | ETIQUETA ARRANCADOR - PAS-2620 |

| NO. | PART NUMBER | QTY. | DESCRIPTION | DESCRIPCIÓN |
|-----|-------------|------|-------------------------------------|--|
| 1 | 90181Y | 1 | TUNE-UP KIT - YOUCAN™ | JUEGO DE PUESTA A PUNTO - YOUCAN™ |
| 2 | A226002040 | 1 | +PRE-FILTER, FOAM | +PRÉ-FILTRO DE ESPUMA |
| 3 | A226002030 | 1 | +FILTER, AIR | +FILTRO DE AIRE |
| 4 | A369000470 | 1 | +FILTER, FUEL | +FILTRO DE COMBUSTIBLE |
| 5 | A425000060 | 1 | +SPARK PLUG - CMR7H | +BUJÍA - CMR7H |
| 6 | 90261Y | 1 | FUEL SYSTEM KIT - YOUCAN™ | KIT DEL SISTEMA DE COMBUSTIBLE - YOUCAN™ |
| 7 | V471006080 | 1 | +PIPE, FUEL 3x6x75 CLEAR | +TUBO DE COMBUSTIBLE 3x6x75 TRANSPARENTE |
| 8 | V186000500 | 1 | +CONNECTOR, PIPE | +CONECTOR DE TUBO |
| 9 | A356000230 | 1 | +VENT ASSY | +VÁLVULA DE RESPIRADERO |
| 10 | V490001230 | 1 | +CLIP 6.5 MM | +SUJETADOR 6.5 MM |
| 11 | 13201006531 | 1 | +PIPE, FUEL 3x6x85 BLACK | +TUBO DE COMBUSTIBLE 3x6x85 NEGRO |
| 12 | V471005640 | 1 | +PIPE, FUEL 3x5.5x80 BLACK | +TUBO DE COMBUSTIBLE 3x5.5x80 NEGRO |
| 13 | 13211555931 | 1 | +GROMMET, FUEL | +OJAL DE COMBUSTIBLE |
| 14 | 10092735830 | 1 | +PIPE 3x7x10 - BLACK | +TUBO 3x7x10 NEGRO |
| 15 | V186000520 | 1 | +CONNECTOR, PIPE 5x3.5 | +CONECTOR DE TUBO 5x3.5 |
| 16 | V490001240 | 2 | +CLIP 6 | +SUJETADOR 6 |
| 17 | V471003661 | 1 | +PIPE, FUEL 3x5x115 BLACK | +TUBO DE COMBUSTIBLE 3x5x115 NEGRO |
| 18 | A413000190 | 1 | +BOOT | +BOTA |
| 19 | A369000470 | 1 | +FILTER, FUEL | +FILTRO DE COMBUSTIBLE |
| 20 | V107000230 | 1 | +GASKET, FUEL CAP | +EMPAQUETADURA DE TAPA DE COMBUSTIBLE |
| 21 | A263000020 | 1 | +BULB, PURGE | +BULBO DE PURGA |
| 22 | P021051540 | 1 | GASKET KIT: ENGINE, INTAKE, EXHAUST | JUEGO DE EMPAQUETADURA - MOTOR, ADMISIÓN, ESCAPE |
| 23 | V100000840 | 1 | +GASKET, CYLINDER | +EMPAQUETADURA DE CILINDRO |
| 24 | V102000300 | 1 | +GASKET, CRANKCASE | +EMPAQUETADURA DE CÁRTER |
| 25 | V103001900 | 1 | +GASKET, INTAKE | +EMPAQUETADURA DE ADMISIÓN |
| 26 | V103001890 | 1 | +HEAT SHIELD, INTAKE | +PROTECTOR TÉRMICO DEL ADMISIÓN |
| 27 | V104002310 | 1 | +HEAT SHIELD, EXHAUST | +PROTECTOR TÉRMICO DEL ESCAPE |

Bulk Pipe

Tubo Al Por Mayor

| NO. | PART NUMBER | QTY. | DESCRIPTION | DESCRIPCIÓN |
|-----|-------------|------|---|--|
| 1 | 90014 | 1 | BULK PIPE - 3x5 MM BLACK (4 PIECESx2 M) | TUBO AL POR MAYOR 3x5 MM NEGRO (4 PIEZASx2 M) |
| 2 | 90015 | 1 | BULK PIPE - 3x6 MM BLACK (4 PIECESx2 M) | TUBO AL POR MAYOR 3x6 MM NEGRO (4 PIEZASx2 M) |
| 3 | 90016 | 1 | BULK PIPE - 3x7 MM BLACK (4 PIECESx2 M) | TUBO AL POR MAYOR 3x7 MM NEGRO (4 PIEZASx2 M) |
| 4 | 90017 | 1 | BULK PIPE - 3x6 MM CLEAR (4 PIECESx2 M) | TUBO AL POR MAYOR 3x6 MM TRANSPARENTE (4 PIEZASx2 M) |
| 5 | 90018 | 1 | BULK PIPE - 2x4 MM CLEAR (4 PIECESx2 M) | TUBO AL POR MAYOR 2x4 MM TRANSPARENTE (4 PIEZASx2 M) |

Bulk Starter Rope

Cuerda Del Arrancador Al Por Mayor

| NO. | PART NUMBER | QTY. | DESCRIPTION | DESCRIPCIÓN |
|-----|-------------|------|---------------------------------|--|
| 1 | 99944435000 | 1 | BULK STARTER ROPE - 2.3 MMx61 M | CUERDA DEL ARRANCADOR AL POR MAYOR 2.3 MMx61 M |
| 2 | 99944440000 | 1 | BULK STARTER ROPE - 3.0 MMx61 M | CUERDA DEL ARRANCADOR AL POR MAYOR 3.0 MMx61 M |
| 3 | 99944445000 | 1 | BULK STARTER ROPE - 3.5 MMx61 M | CUERDA DEL ARRANCADOR AL POR MAYOR 3.5 MMx61 M |
| 4 | 99944450000 | 1 | BULK STARTER ROPE - 4.0 MMx61 M | CUERDA DEL ARRANCADOR AL POR MAYOR 4.0 MMx61 M |
| 5 | 99944455000 | 1 | BULK STARTER ROPE - 4.4 MMx61 M | CUERDA DEL ARRANCADOR AL POR MAYOR 4.4 MMx61 M |
| 6 | 99944460000 | 1 | BULK STARTER ROPE - 4.8 MMx61 M | CUERDA DEL ARRANCADOR AL POR MAYOR 4.8 MMx61 M |